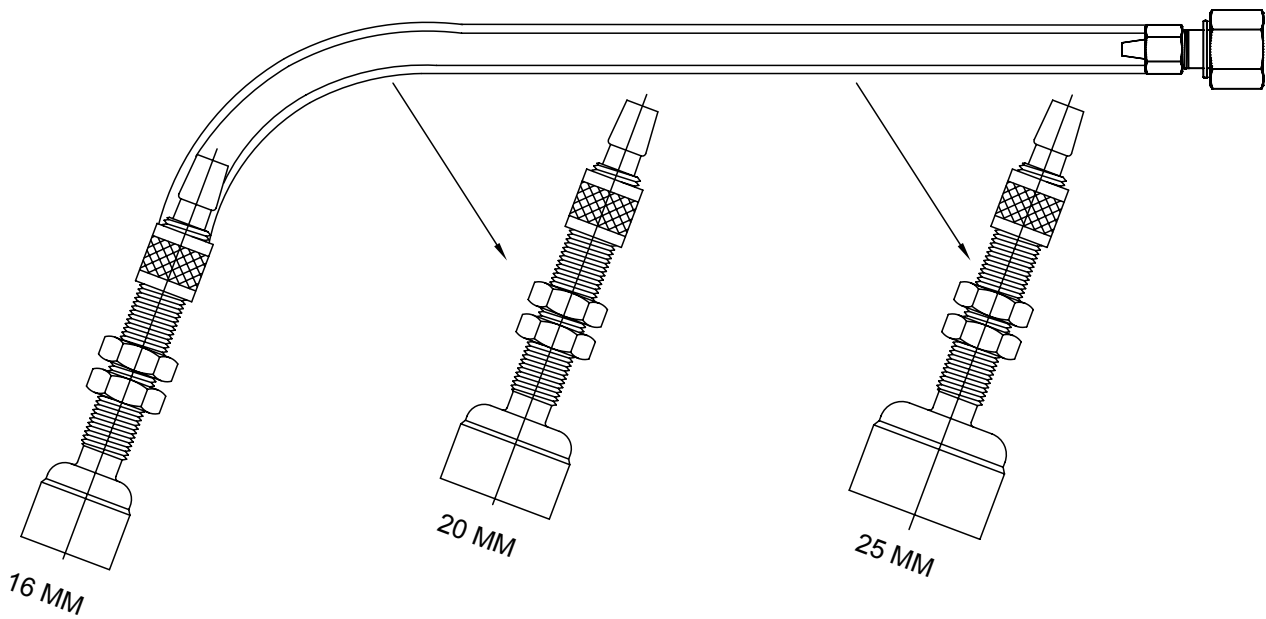
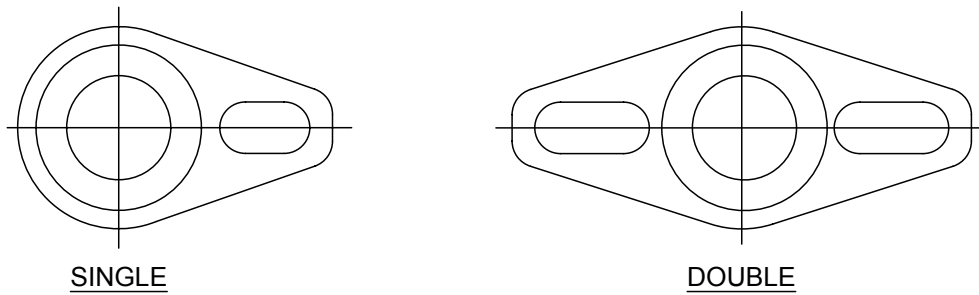


# TRAILING SHIELD FOR TITANIUM / MONEL METAL



## TRAILING SHIELD SUPPORTING HOLDER



### ❖ FEATURES ❖

- ❖ ALLOWS THE WELDER NEEDED VISIBILITY
- ❖ REPOSITION WITH EASE
- ❖ LIGHT WEIGHT REDUCE WELDERS FATIGUE
- ❖ INTERCHANGEABLE BETWEEN TORCHES
- ❖ ROTATION UPTO 240°
- ❖ INEXPENSIVE

### COMPLETE HOOK UP KIT

TORCH MODEL		GC 75; 90; 100; 110		GC 20; 160; 175; 200; 225		GC 280; 300	
		WC 150; 180; 210; 220		WC 40; 300; 350; 400; 410		WC 550; 600	
		PART NO.	RATE	PART NO.	RATE	PART NO.	RATE
SINGLE	4 mtr	WG1204104	1200	WG2404104	1250	WG3604104	1300
	8 mtr	WG1204108	1300	WG2404108	1350	WG3604108	1400
DOUBLE	4 mtr	WG1204204	1350	WG2404204	1400	WG3604204	1450
	8 mtr	WG1204208	1450	WG2404208	1500	WG3604208	1550

### TRAILING SHIELD SUPPORTING HOLDER

SINGLE	WG1201301	600	WG2401301	600	WG3601301	600
DOUBLE	WG1201302	750	WG2401302	750	WG3601302	750

### TRAILING SHIELD

SIZE	16 MM	WG1236016	450
	20 MM	WG1236020	500
	25 MM	WG1236025	550

### OTHER SPARES

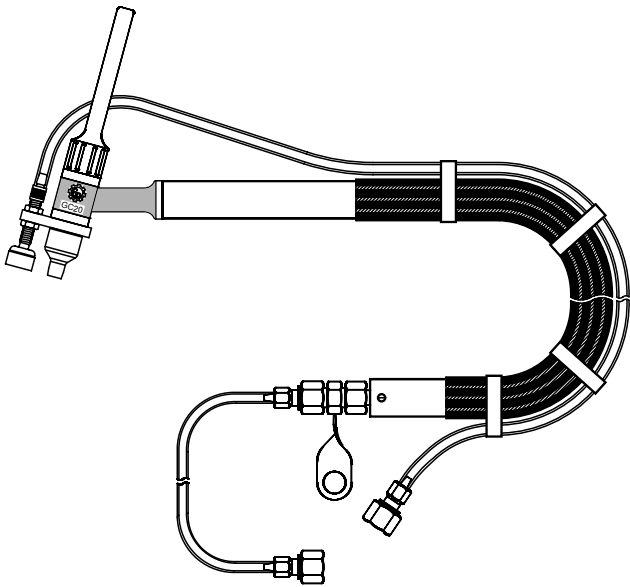
CHECK NUT	WG1236004	5
ARGON HOSE - 4 mtr	WG1236304	40
ARGON HOSE - 8 mtr	WG1236308	80
ARGON NUT / NIPPLE	WG1236005	50

C:\DWG\SHIELD.DWG 08/01

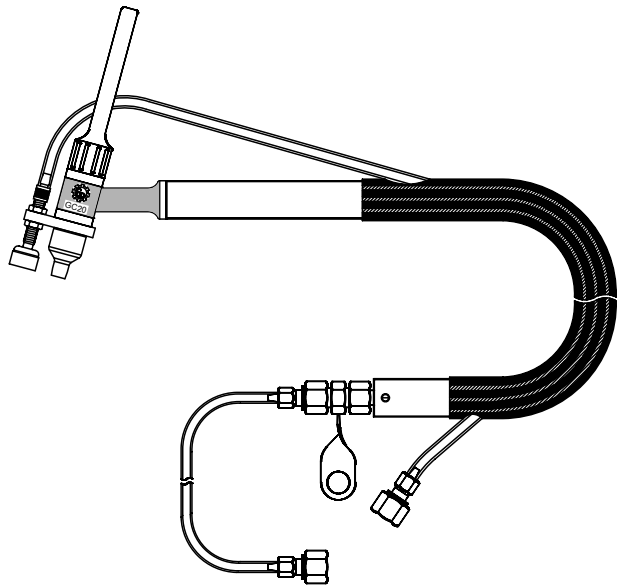
# TRAILING SHIELD

## GAS ( AIR ) COOLED

EXTERNALLY ASSEMBLED

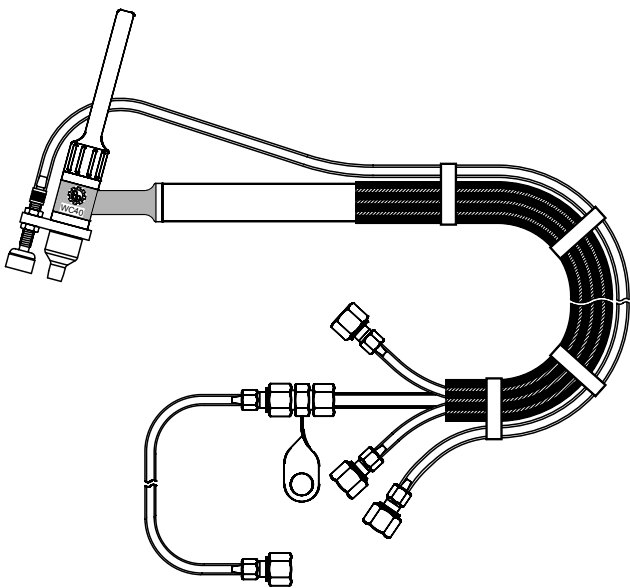


FACTORY ASSEMBLED



## WATER COOLED

EXTERNALLY ASSEMBLED



FACTORY ASSEMBLED

